

ACSI 1-800-753-5558

ELECTRIC LOCK MODIFICATION LISTING

Note: If you do not find the lock of your choice listed, please consult with our factory engineering staff. We may request that you send a sample for further evaluation.

Manufacturer	Mortise Locks	Cylindrical Locks	Unit Locks
Arrow	AM17 BM17	H12 Q12	
Baldwin	6065 6065LS		
Best	35H7J, 45H7J		
Corbin Russwin	2055	3357	UT5257
Dorma	ML9070		
Falcon	ML561		
Hager	3850	3480	
PDQ	MR115	GT115	
Sargent	8237	10G04	
Schlage	L9050 L9070 L9080* 9453	D80 Rhodes (Lever) D53 (Knob) D94 ND80, ND94	
Yale	8808	5405LN	

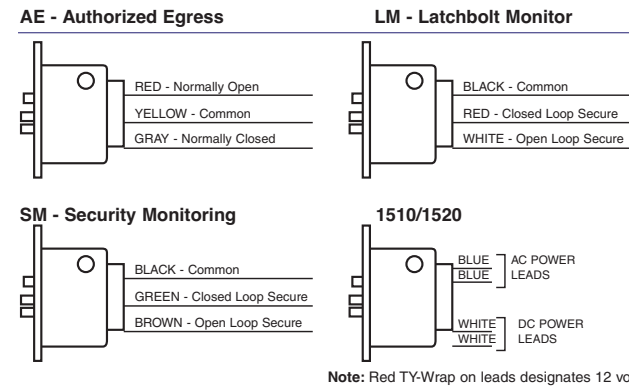
*Schlage L9080 must be supplied with extra spring cage to compensate for lever sag of outside trim.

ELECTRIC LOCK COMPARISON CHART

ACSI	Arrow	Best	Corbin Russwin	Dorma	Falcon	Sargent	Schlage	Yale
M1510C-00-1	A17-177 B17-177	EWEL	20903 20910	ML9080EL	M851	8270	L9080EL	8890
M1510C-00-2		WWEL	20901 20920	ML9082EL	M811	8272	L9082EL	8894-2
M1520C-00-1	A17-178 B17-178	EWEL	20905 20930	ML9080EU	M881	8271	L9080EU	8891
M1520C-00-2		WWEU	20940 20940	L9082EU	M821	8273	L9082EU	8895-2
C1510C-00-1	Q12-177 H12-177		33903			10G70	ND80PDEL	5490
C1520C-00-1	Q12-178 H12-178		33905			10G71	ND80PDEU	5491
AE		RQE	M92	RX*		RX	RX	REX
LM*		LS*	M91*			LX*		LBM*
SM*			M105*					
DM*						DX*		

*Available Mortise Only

LOCK SCHEMATICS

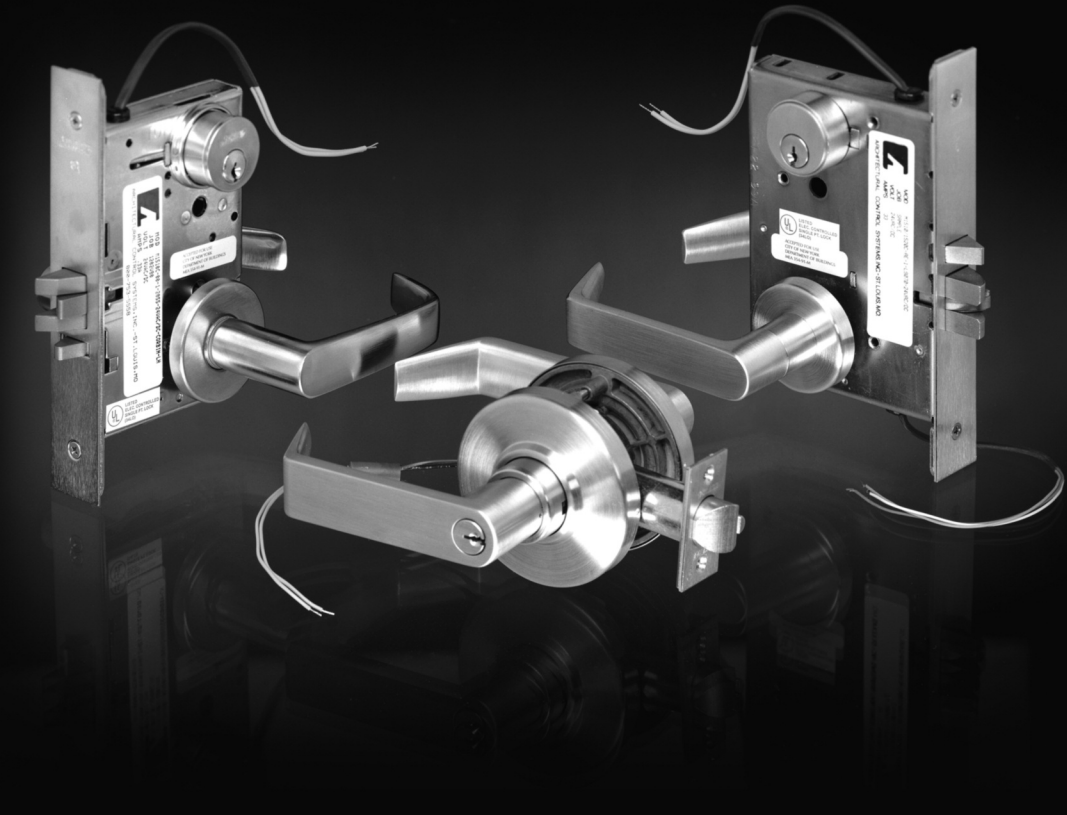


ACSI 1-800-753-5558

ELECTRICAL SPECIFICATIONS

M1510/1520	12VAC/DC 24VAC/DC	612 ma 330 ma
C1510/1520	12VAC/DC 24VAC/DC	250 ma 150 ma
MU1510/1520	12VAC/DC 24VAC/DC	612 ma 330 ma

LOCK INTO THE ACSI ADVANTAGE



MODIFICATIONS TO:
 ARROW
 BALDWIN
 BEST
 CORBIN/RUSSWIN
 FALCON
 HAGER
 MARKS
 PDQ
 SARGENT
 SCHLAGE
 YALE

SERIES 1500 ELECTRIC LOCK CATALOG



10666 Gateway Blvd. • St. Louis, Missouri 63132 • 1-800-753-5558 • 314-432-5588 • FAX: 314-432-2090 • www.acsi-inc.com



10666 Gateway Blvd. • St. Louis, Missouri 63132 • 1-800-753-5558 • 314-432-5588 • FAX: 314-432-2090 • www.acsi-inc.com

