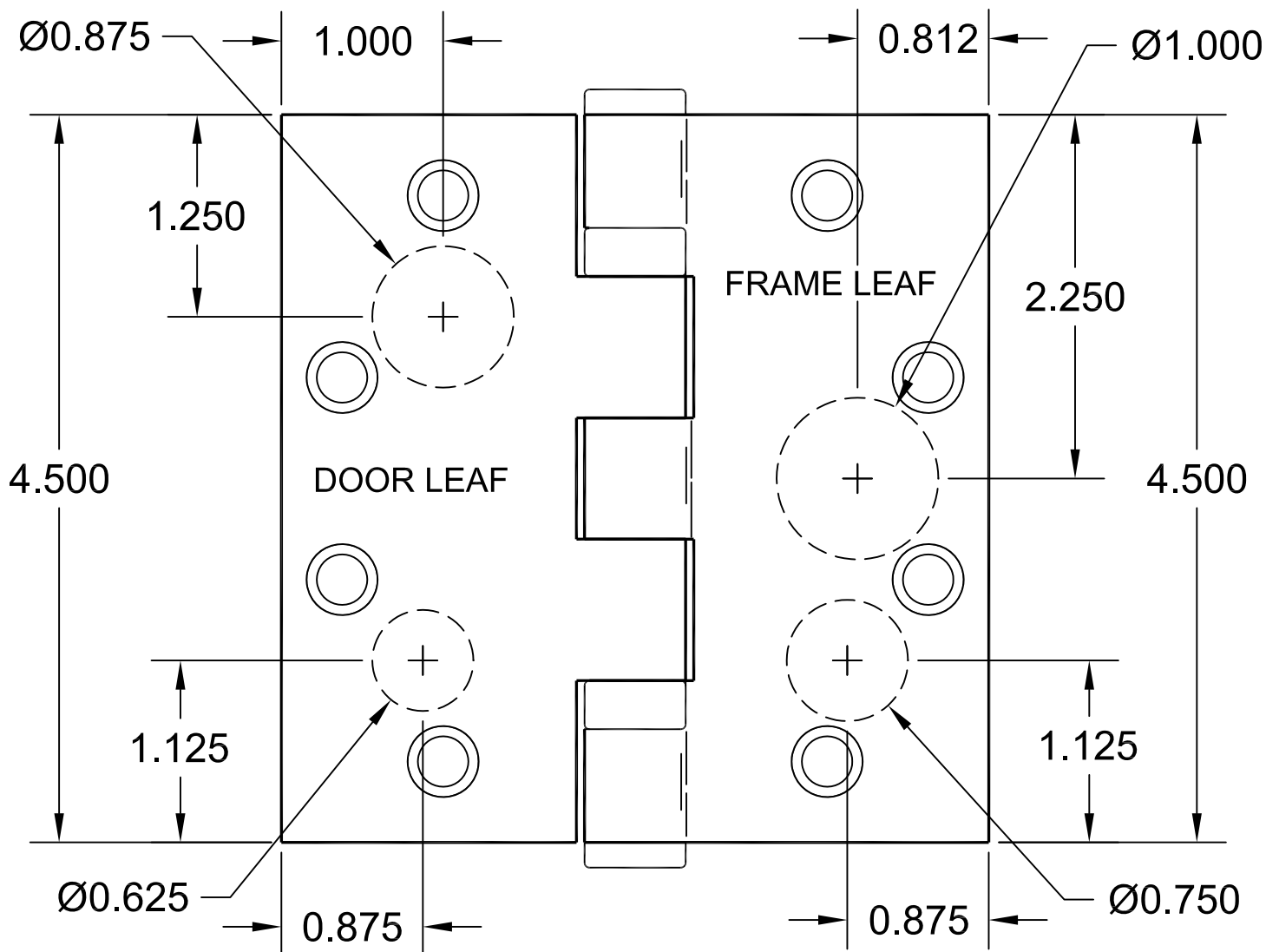


# 1101-07 HINGE TEMPLATE

MODEL 1100-10, 1100-12, 1102X4  
WITH E1S MONITOR SWITCH

FOR USE WITH ALL MANUFACTURERS  
4.5" FULL MORTISE 5 KNUCKLE BALL BEARING  
HINGES STANDARD AND HEAVY WEIGHT



NOTE: LEFT HAND HINGE SHOWN  
ROTATE HINGE 180 DEGREES FOR RIGHT HAND



HINGES ARE NON-LOAD BEARING  
AND MUST BE MOUNTED  
IN THE CENTER POSITION ONLY.