

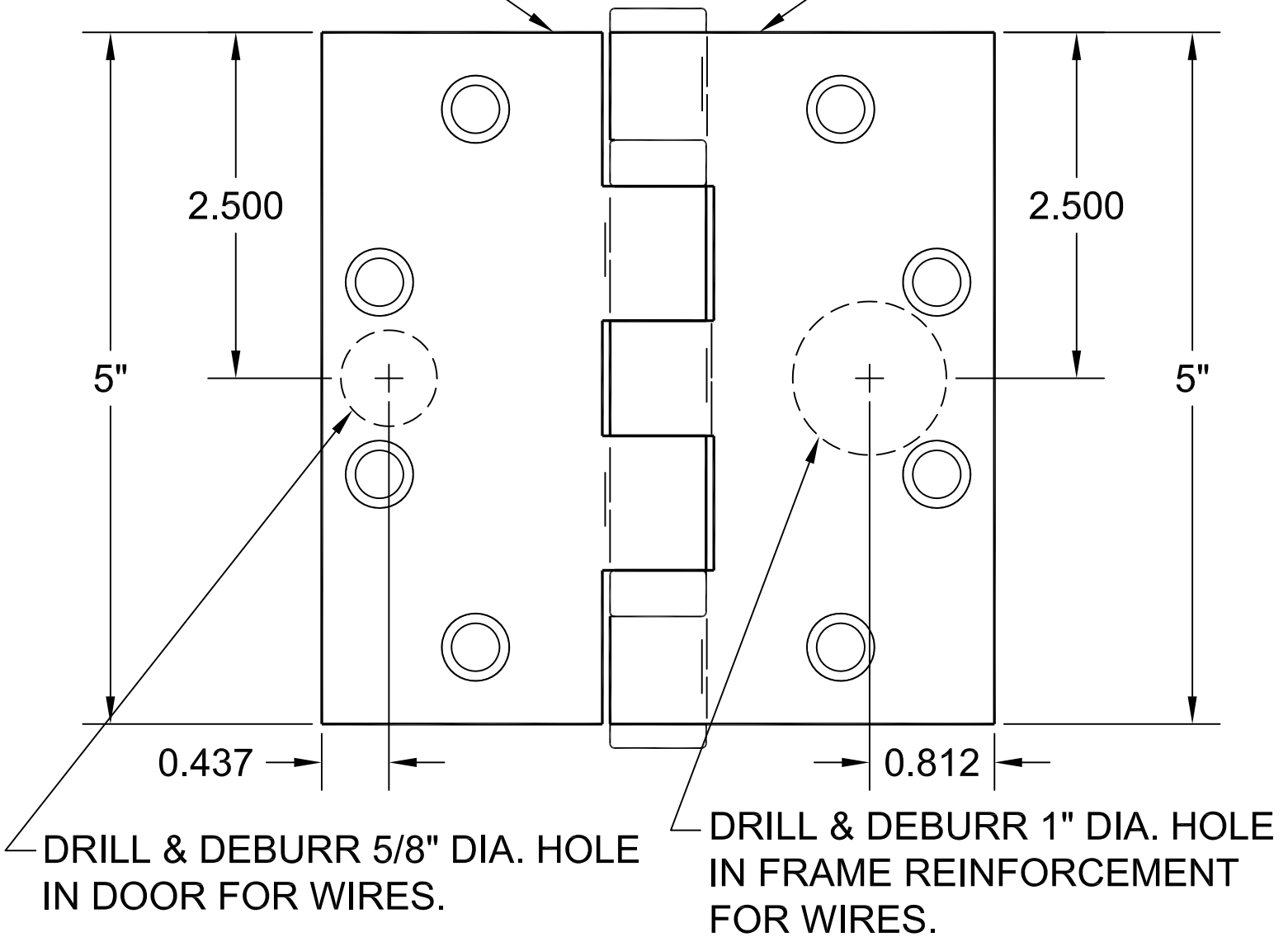
1102-02 HINGE TEMPLATE

MODEL 1102, 1104, 1106 & 1108 CONCEALED
ELECTRIC THROUGH WIRE HINGE

FOR USE WITH BOMMER, DON JO AND HAGER
5.0" FULL MORTISE 5 KNUCKLE BALL BEARING
HINGES STANDARD AND HEAVY WEIGHT

DOOR LEAF

FRAME LEAF



DRILL & DEBURR 1" DIA. HOLE
IN FRAME REINFORCEMENT
FOR WIRES.



HINGES ARE NON-LOAD BEARING
AND MUST BE MOUNTED
IN THE CENTER POSITION ONLY.