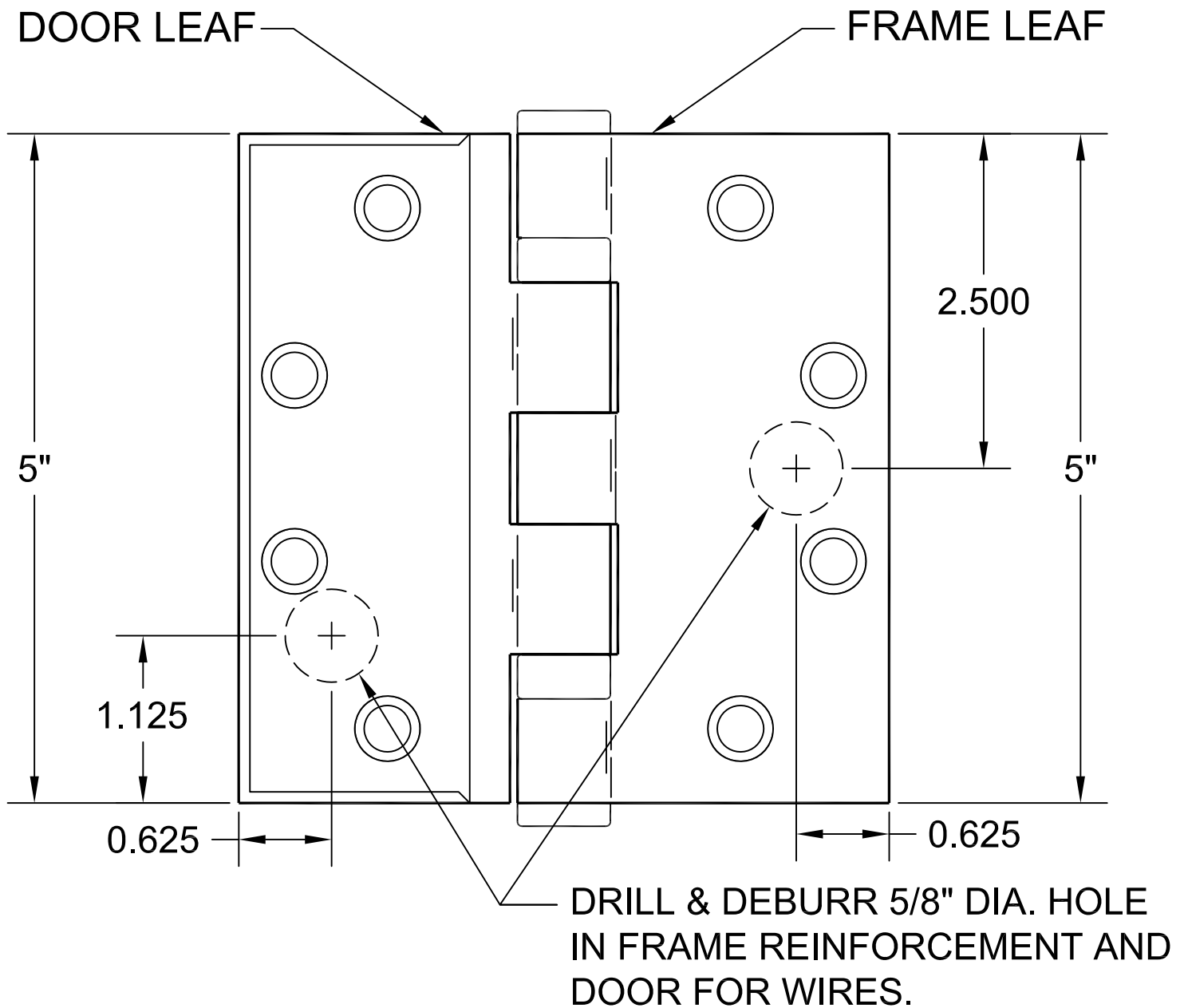


# 1102-25 HINGE TEMPLATE

MODEL 1102, 1104, 1106 & 1108 CONCEALED  
ELECTRIC THROUGH WIRE HINGE

FOR USE WITH ALL MANUFACTURERS  
5.0" HALF SURFACE 5 KNUCKLE BALL BEARING  
HINGES STANDARD AND HEAVY WEIGHT



HINGES ARE NON-LOAD BEARING  
AND MUST BE MOUNTED  
IN THE CENTER POSITION ONLY.