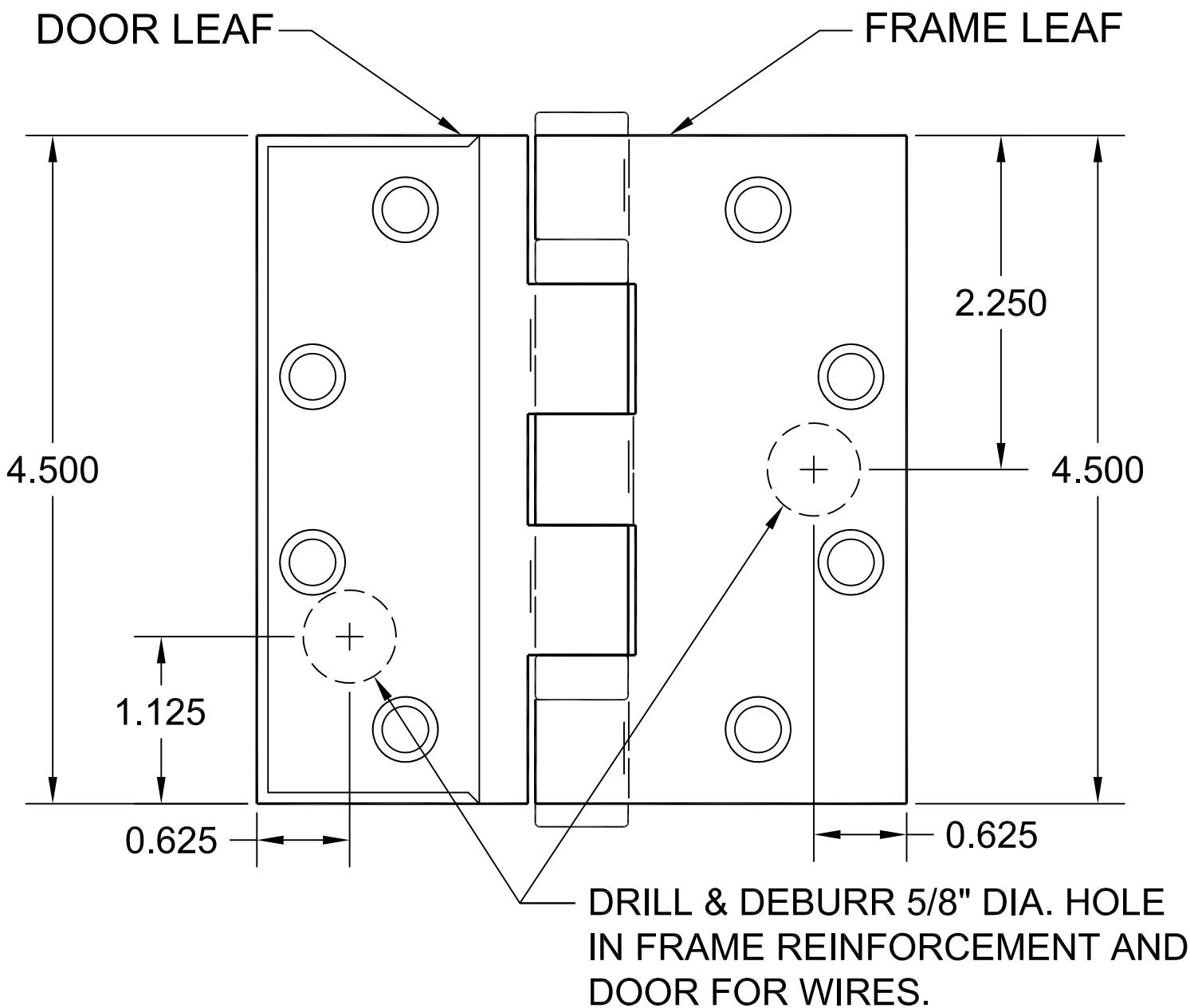


1102-26 HINGE TEMPLATE

MODEL 1102, 1104, 1106 & 1108 CONCEALED
ELECTRIC THROUGH WIRE HINGE

FOR USE WITH ALL MANUFACTURERS
4.5" HALF SURFACE 5 KNUCKLE BALL BEARING
HINGES STANDARD AND HEAVY WEIGHT



HINGES ARE NON-LOAD BEARING
AND MUST BE MOUNTED
IN THE CENTER POSITION ONLY.