

# 1102-32 HINGE TEMPLATE

MODEL 1102X4, 1100-10 & 1100-12

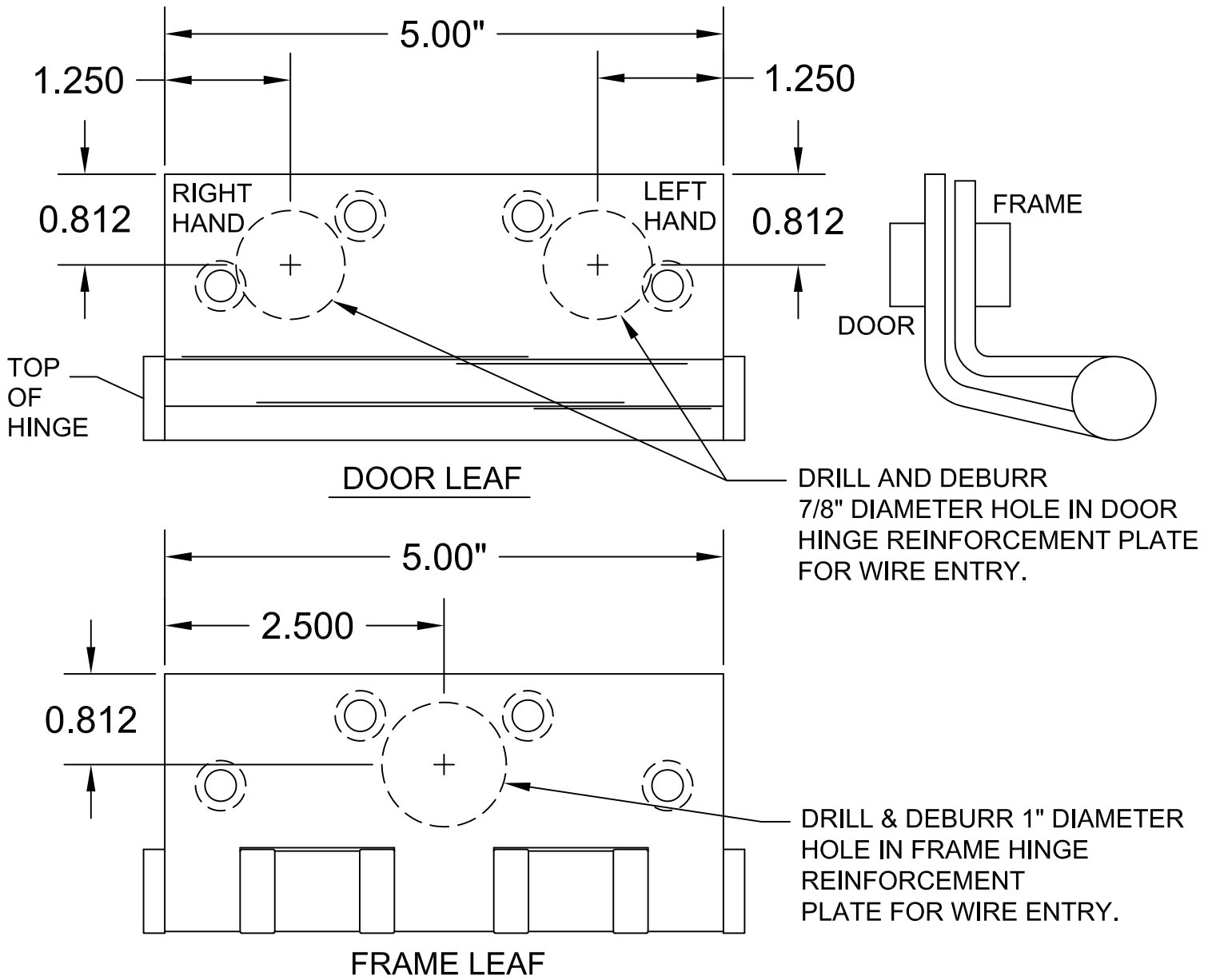
CONCEALED ELECTRIC THROUGH WIRE HINGE

FOR USE WITH ALL MANUFACTURERS

5.0" FULL MORTISE SWING CLEAR

3 & 5 KNUCKLE BALL BEARING

HINGES STANDARD AND HEAVY WEIGHT



**ARCHITECTURAL  
CONTROL SYSTEMS,  
INCORPORATED**

HINGES ARE NON-LOAD BEARING  
AND MUST BE MOUNTED  
IN THE CENTER POSITION ONLY.