

1103-01 HINGE TEMPLATE

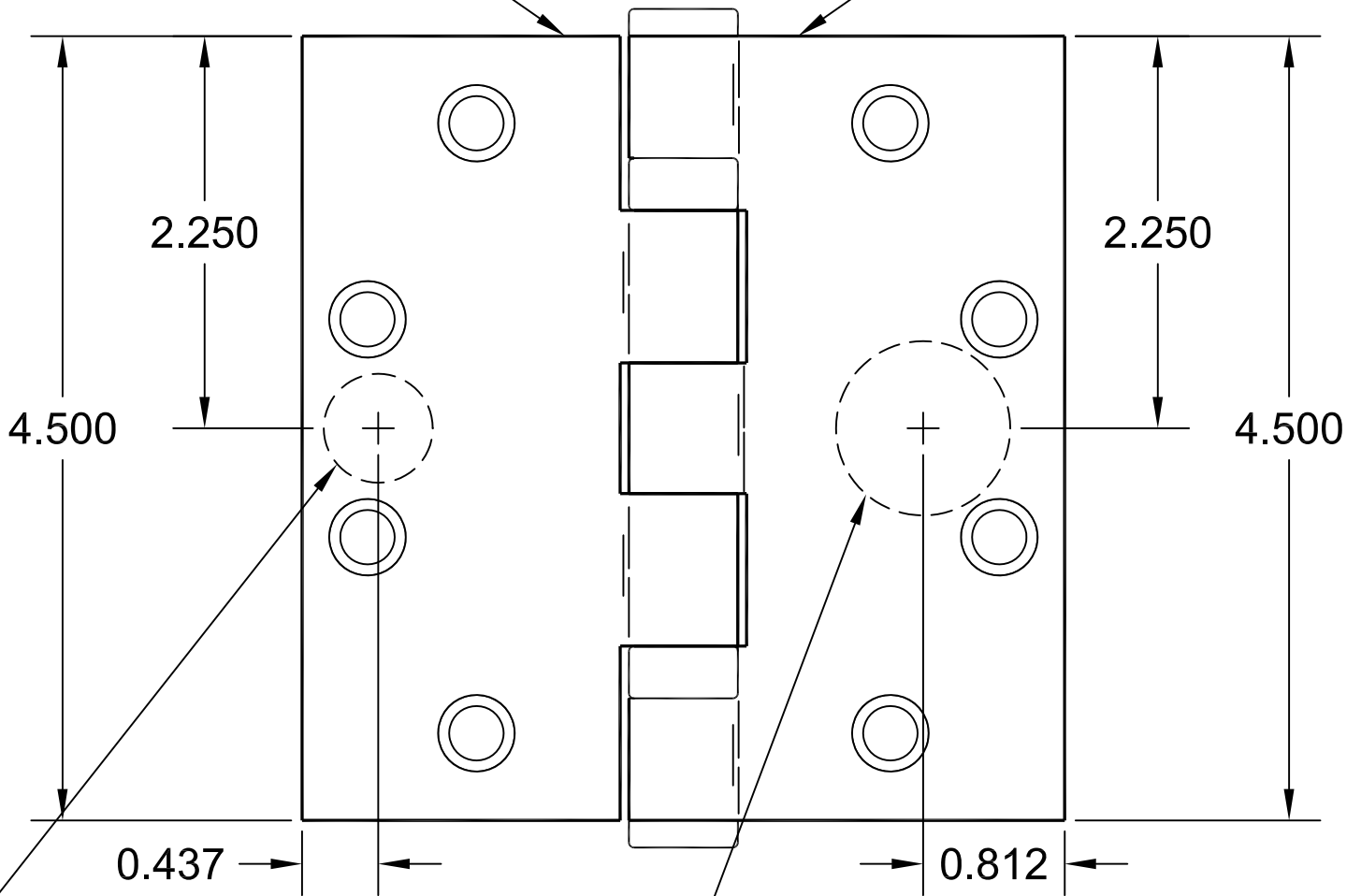
MODEL 1114, 1116, 1118 & 1120 CONCEALED ELECTRIC THROUGH WIRE & MONITOR & CONCEALED AIR TRANSFER

FOR USE WITH ALL MANUFACTURERS

4.5" FULL MORTISE 5 KNUCKLE BALL BEARING HINGES STANDARD AND HEAVY WEIGHT

DOOR LEAF

FRAME LEAF



DRILL & DEBURR 5/8" DIA. HOLE IN DOOR FOR WIRES.

DRILL & DEBURR 1" DIA. HOLE IN FRAME REINFORCEMENT FOR WIRES.



HINGES ARE NON-LOAD BEARING AND MUST BE MOUNTED IN THE CENTER POSITION ONLY.