

1103-02 HINGE TEMPLATE

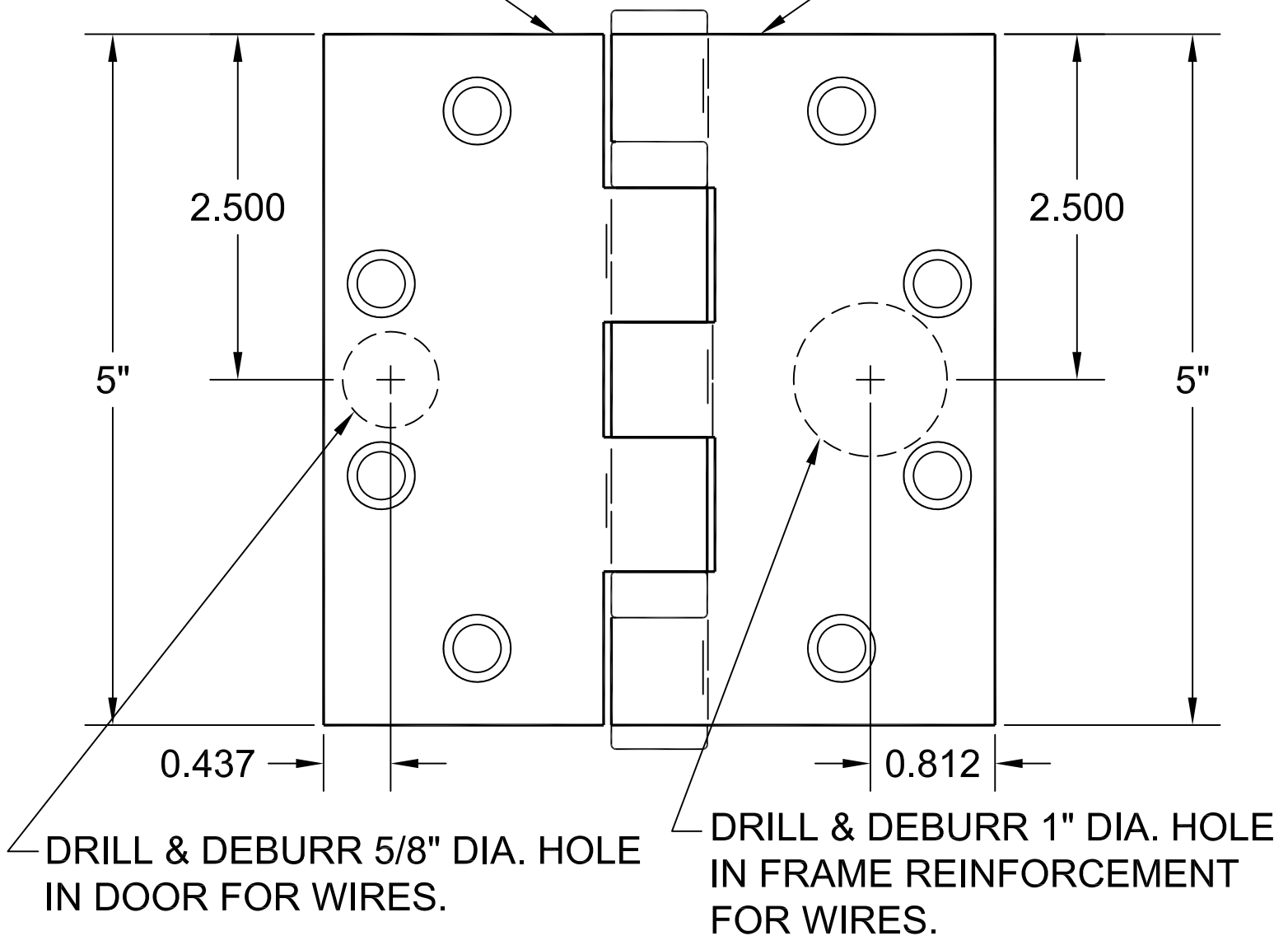
MODEL 1114, 1116, 1118 & 1120 CONCEALED ELECTRIC THROUGH WIRE & MONITOR & CONCEALED AIR TRANSFER

FOR USE WITH ALL MANUFACTURERS

5.0" FULL MORTISE 5 KNUCKLE BALL BEARING
HINGES STANDARD AND HEAVY WEIGHT

DOOR LEAF

FRAME LEAF



HINGES ARE NON-LOAD BEARING
AND MUST BE MOUNTED
IN THE CENTER POSITION ONLY.